

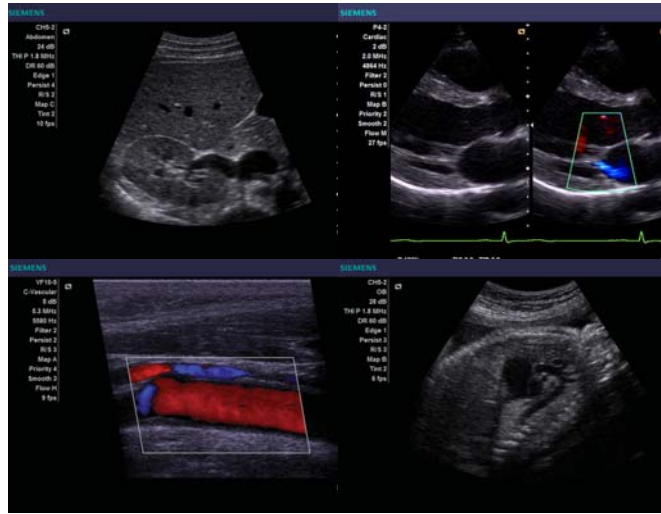


Compact. Efficient.
Uncompromised performance.

ACUSON X300 Ultrasound System

www.siemens.com/medical

SIEMENS
medical



- ▶ Abdominal Imaging
Transverse Liver / Kidney
- ▶ Cardiac Imaging
Dual Screen Parasternal Long
Axis View-Mitral Regurgitation
- ▶ Vascular Imaging
Common Carotid Artery
Color Doppler
- ▶ Obstetrical Imaging
Fetal Aortic Arch

Advanced Technology

The X300 system provides advanced technology to suit your clinical needs.

The performance you expect from Siemens— in a compact, efficient, ergonomic package.

Today's clinical challenges require robust imaging performance. The ACUSON X300™ ultrasound system provides that imaging capability in a highly mobile, compact package, with state-of-the-art ergonomics and a high level of value, both now and years down the road.

The X300 system is engineered to give you uncompromised diagnostic performance. The system's compact size and easy mobility make it ideal when space is limited, or when fully-featured diagnostic capability is needed in more than one place.

In short, the X300 system was designed to deliver the diagnostic confidence your clinic needs—wherever and whenever you need it next.

Superior Clinical Performance

- ▶ The X300 system delivers excellent imaging performance in a compact, color Doppler system over a wide range of clinical applications, giving you the diagnostic confidence you need, patient after patient.

Streamlined Clinical Workflow

- ▶ Siemens is dedicated to giving you the streamlined workflow and clinical efficiency you need, through the DIMAQ-IP workstation and DICOM structured reporting to the X300 system's compact design, engineered for easy mobility.

Advanced ErgoDynamic Design

- ▶ The X300 system provides an optimal ergonomic solution. From the height adjustable control panel to the 15" flat panel display, the X300 system was designed for operator comfort.





Consistent Image Quality

The advanced Hanafy lens transducer technology of the CH5-2 curved-array transducer enables improved image uniformity when scanning technically difficult-to-image patients. Excellent image quality, with penetration as deep as 30 cm, is achieved without excessive transducer pressure.

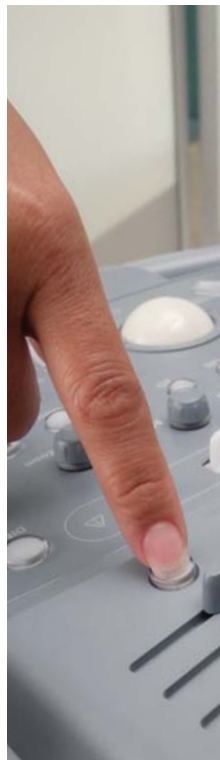
The image quality you need for confident diagnosis.

The all-digital X300 system is engineered to provide the excellent clinical performance needed for confident diagnosis. The X300 system brings the benefits of Siemens' advanced core imaging technologies providing robust imaging capability in a surprisingly compact, easy-to-use package. The X300 system was created to provide a new standard in the world of compact, mobile ultrasound systems.



Less Pressure

- ▶ The CH5-2 Hanafy lens transducer is designed to deliver improved image uniformity, from near to far field, with penetration as deep as 30 cm – reducing the scanning pressure needed for a diagnostic exam.



TGO Tissue Grayscale Optimization Technology

- ▶ Single-keystroke TGO™ tissue grayscale optimization technology delivers more consistent image quality with a single push of a button.

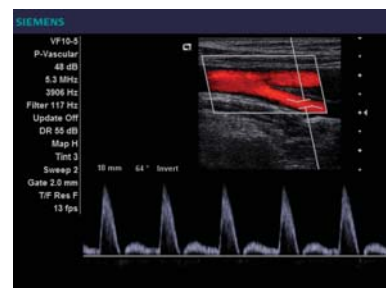
Efficient Connectivity

The DIMAQ-IP integrated workstation and a comprehensive suite of DICOM features enable fast, easy access to patient information throughout the hospital system.

Get it done. Get it right. Get it now.

The X300 system is designed to achieve optimal clinical efficiency. From a customizable patient entry screen to DICOM structured reporting, the X300 system is engineered to address each clinic's unique workflow needs. The DIMAQ-IP workstation allows you to store, recall and manage patient data with speed and efficiency. Thumbnail image display provides easy access to stored images for review and printing.

TGO technology delivers more consistent image quality with a single push of a button for improved user-to-user consistency and reduced exam time.



Superior Image Management

- ▶ Thumbnail image display provides a quick review of stored images and easy access for printing or deletion of images from a study.



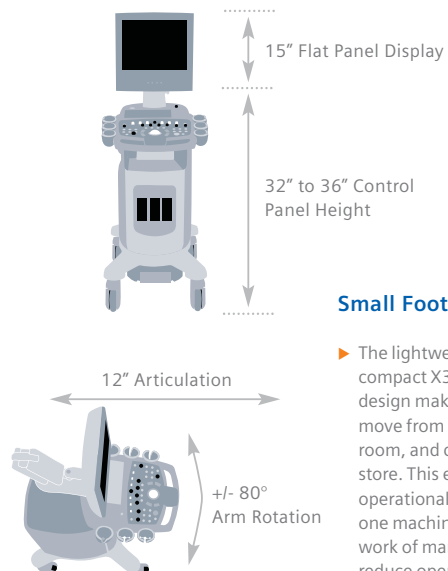
Ergonomic Flat Panel Display

The 15" flat panel display and articulated arm allow for optimal monitor placement and image quality in all scanning environments.

ErgoDynamic™ Imaging System Design: Taking the pain and pressure out of scanning.

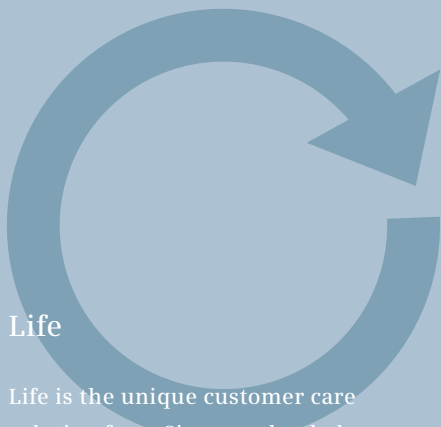
The X300 system is designed with the latest ergonomic innovations. With a lightweight compact footprint, the X300 system is easy to move and store. The operator-friendly console is centered around a home-base design to reduce arm and hand movement, while the height-adjustable control panel and articulating arm allow for comfort in a variety of scanning situations.

Small, lightweight transducers complete the ergonomic package with advanced features such as Hanafy lens transducer technology, which provides excellent penetration with reduced scanning pressure.



Small Footprint

- ▶ The lightweight, compact X300 system design makes it easy to move from room to room, and convenient to store. This enhanced operational flexibility lets one machine do the work of many—and helps reduce operator injuries.



Life

Life is the unique customer care solution from Siemens that helps you get the most from your investment. From the moment of your purchase, Life surrounds you with an array of programs and support that enables the continuous development of your skills, productivity, and technology. Allowing you to broaden your capabilities. Increase profitability. And take patient care to the next level.



**We see a way to reduce
image optimization times
by a factor of 5**

DIMAQ, TGO, and X300 are trademarks of Siemens AG and ACUSON is a registered trademark of Siemens AG.

© 10.2006, Siemens AG
Order No. A91-US-27-1C-4A00
Printed in USA
WS 1006

Contacts

Europe: +49 9131 84-0
Asia Pacific: +65 6341-0990
Latin America: +1-786-845-0697

USA

Siemens Medical Solutions USA, Inc.
Ultrasound Division
1230 Shorebird Way
P.O. Box 7393
Mountain View, CA 94039-7393 USA
Telephone: +1-888-826-9702

Headquarters

Siemens Medical Solutions USA
51 Valley Stream Parkway
Malvern, PA 19355-1406 USA
Telephone: +1-888-826-9702
www.usa.siemens.com/medical